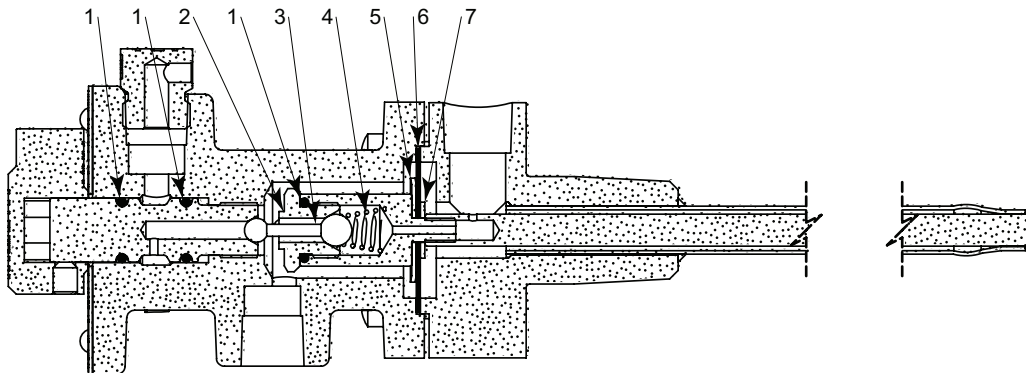
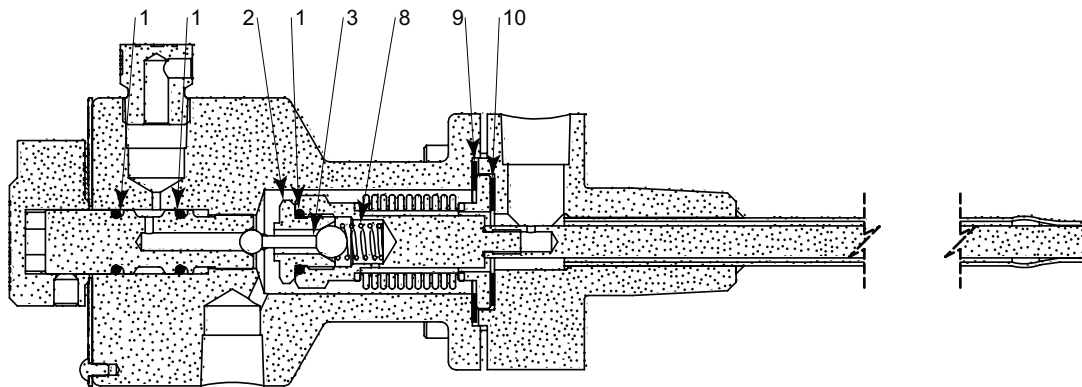


ITEM	QTY.	DESCRIPTION	NUMBER	T12	THT	TPG
1	3	O Ring	265	X	X	X
2	1	Seat	565	X	X	X
3	1	Pilot Plug	112	X	X	X
4	1	Spring	108	X		
5	1	Upper Daiph Plate	597	X		
6	1	Diaphragm	601	X		
7	1	Lower Diaph Plate	763	X		
8	1	Spring	585		X	X
9	1	Gasket	1623		X	X
10	1	Gasket	1624		X	X
11	1	O Ring	4638			X
N/A	1	Filter O Ring	155	For F/30 Filter if Applicable		
	6	Filter Screens	619			

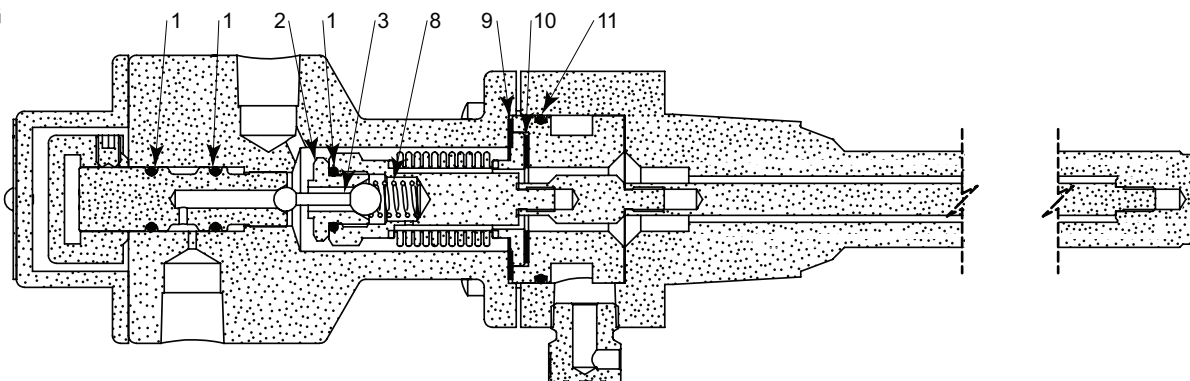
T12



THT



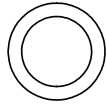
TPG



All Pictures shown are for illustration purpose only. Actual product may vary due to product enhancement.

For additional information & documentation visit www.kimray.com

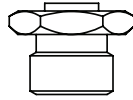
REPAIR KIT
THERMOSTAT



265



763



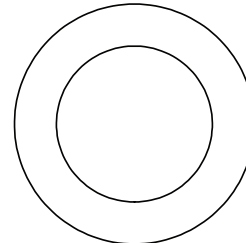
565



585



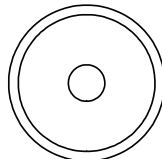
112



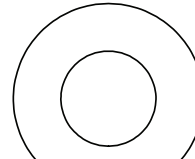
1623



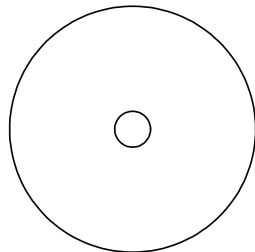
108



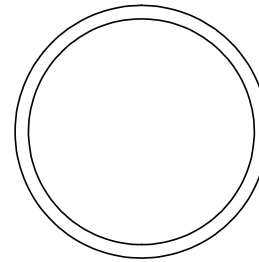
597



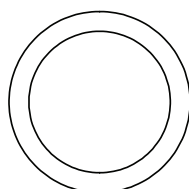
1624



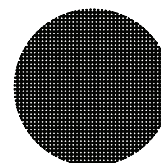
601



4638



155



619