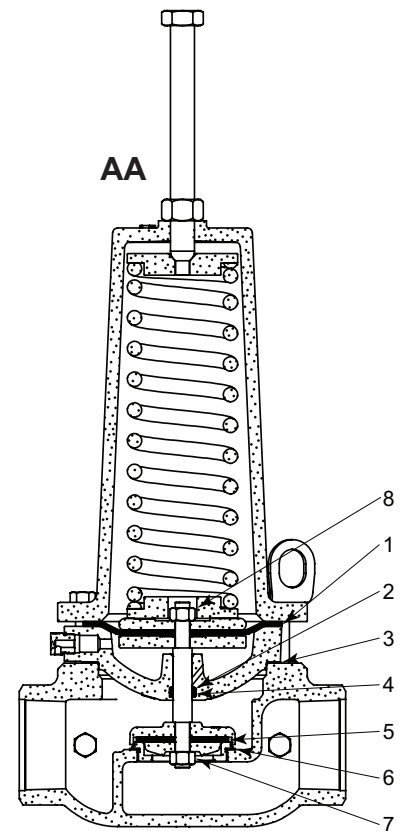
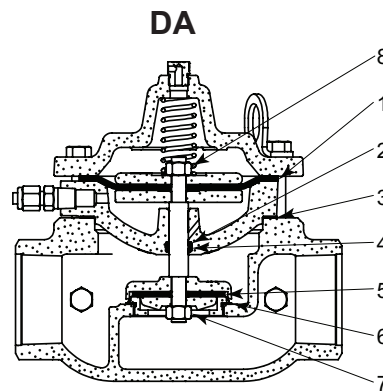
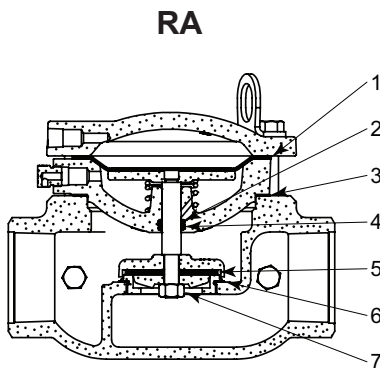


ITEM	QTY.	DESCRIPTION	PART NUMBER					MODEL						
			1 inch	2 inch	3 inch	4 inch	6 inch	RA		DA		AA		
								Standard Seat	Reduced Seat	Standard Seat	Reduced Seat	Standard Seat	Reduced Seat	
1	1	Diaphragm	127	1706	1640	2015	2140	X	X					
			741	1965	1966	2139	2138			X	X	X	X	
2	2	Back Up	148T	149T	150T	151T	152T	X	X	X	X	X	X	
3	1	Gasket	195	196	197	198	199	X	X	X	X	X	X	
4	1	O-Ring	153	154	155	156	157	X	X	X	X	X	X	
5	1	Seat	standard	163	164	165	166	167	X		X		X	
			reduced	1347P	709P	1230P	164	165		X		X		X
6	1	Gasket	standard	----					X		X		X	
			reduced	364	276	277	196	279		X		X		X
7	1	Nut	standard	172	173	906		175	X		X		X	
			reduced	172		173		906		X		X		X
8	1	Nut	172		173		906			X	X	X	X	



LOW PRESSURE CONTROL VALVES



REPAIR KIT

1 INCH LOW PRESSURE CONTROL VALVES

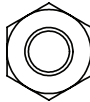
148T



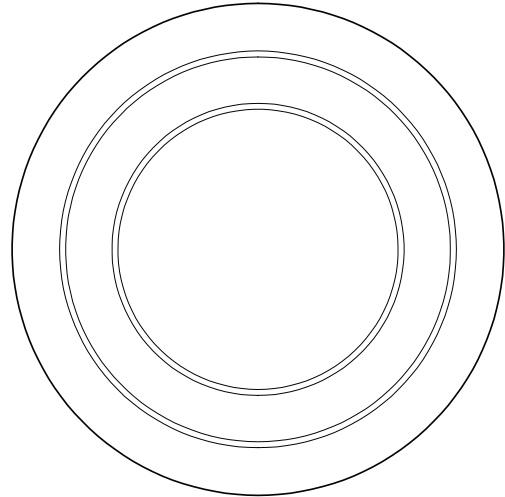
153



172



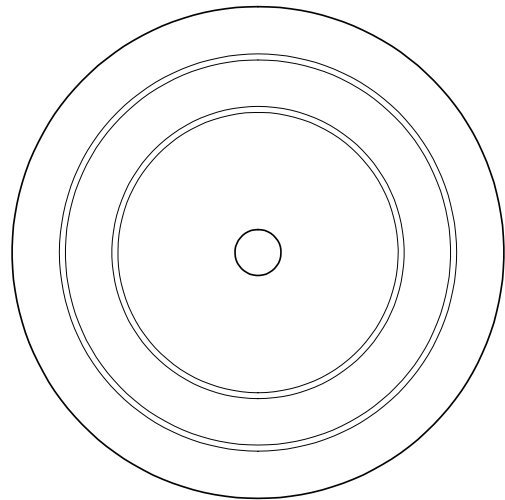
127



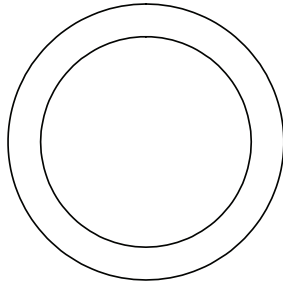
163



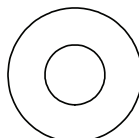
741



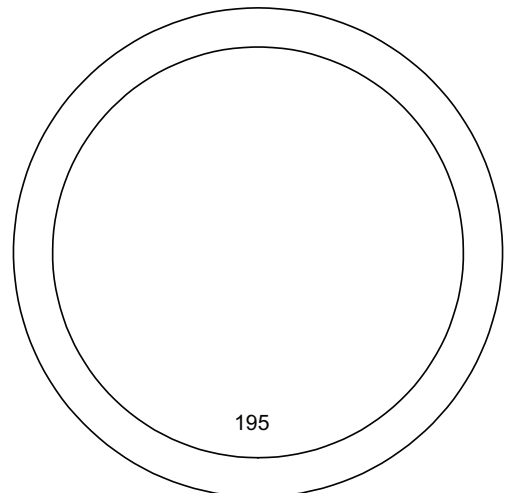
364



1347P



195



All Pictures shown are for illustration purpose only. Actual product may vary due to product enhancement.