

APPLICATION:

The Electronic Pilot Controller is used in any application where a 4-20mA valve actuator can be controlled by reading a 4-20mA sensor.

FEATURES

- Multiple control schemes
- * PID Control (Pressure Reducing or Back Pressure)
- * High Limit shutdown
- * Low Limit shutdown
- * GAP Control (example: plunger lift application)
- * High Low shutdown
- Multiple applications
- * Pressure control
- * Flow control
- * Temperature control
- * Level control
- Powered from actuator supply
- Reverse Battery Protection
- Bright OLED display technology
- User-friendly menus for installation/operation
- PID Autotuning available for ease of installation

CONSTRUCTION:

Cast aluminum housing for hazardous location areas.

OPERATION:

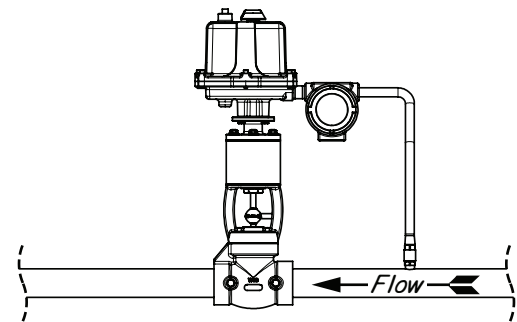
The Electronic Pilot receives an analog (4-20mA) signal from a sensor which measures a process valve. The signal is conditioned and sent to an electronically controlled valve via 4-20mA output signal. A PID control loop is utilized along with auto-tune and manual tuning capabilities. The pilot can connect directly to an electric actuator and share a common input power source.

INSTALLATION AND COMMISSION:

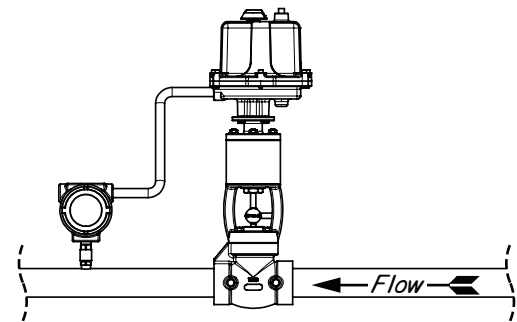
- 1) Mount appropriate hardware
- 2) Specify sensor using the menu
- 3) Select control scheme
- 4) Perform auto-tuning or manual-tuning

CERTIFICATIONS:

CSA HAZARDOUS LOCATION
 Class I, Div 1, Groups B, C, D
 Class II, Groups E, F, G
 Class III, T6
 Type 4X enclosure, IP66 rated



BACK PRESSURE INSTALLATION



PRESSURE REDUCING INSTALLATION

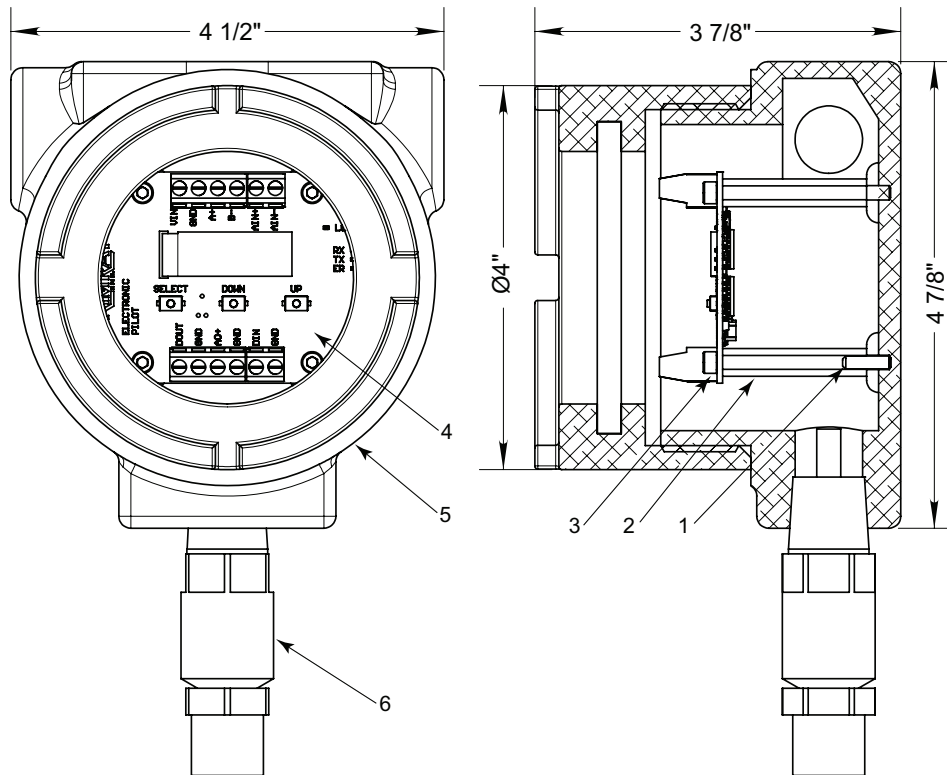
ELECTRICAL RATINGS			
	Min	Max	Units
Input Voltage (VIN)	10	30	VDC
Input Current	0.05	0.10	ADC
Ambient Temperature	-40	60	°C
	-40	140	°F
Analog input From Sensor	4-20 mA (powered by VIN)		
Discrete input	Dry Contacts only		
Analog Output to Actuator	4-20 mA (powered by VIN)		
Communications	RS-485 (MODBUS RTU)		
Discrete Output	0 VDC or VIN, up to 1A		



Order Code	Description
YEP	ELECTRIC PILOT CONTROLLER

PILOTS & RELAYS

ELECTRIC PILOT CONTROLLER DRAWING & PARTS LIST



ITEM	QTY.	DESCRIPTION	PART NO
1	4	SET SCREW 6-32	7472A
2	4	PCB STANDOFF 6-32 x 3/8" HEX	7472B
3	4	6-32 x 1/4 SOCKET HEAD SCREW	7495
4	1	MAIN PCB	KA7509
5	1	ENCLOSURE	7483
6	1	PRESSURE TRANSDUCER	SEE BELOW

ACCESSORIES AVAILABLE		
PART NO	PRESSURE RANGE	DESCRIPTION
KSGS100PG	0-100 psig	PRESSURE TRANSDUCER
KSGS300PG	0-300 psig	PRESSURE TRANSDUCER
KSGS750PG	0-750 psig	PRESSURE TRANSDUCER
KSGS20CPS	0-2000 psig	PRESSURE TRANSDUCER
KSGS40CPS	0-4000 psig	PRESSURE TRANSDUCER
KSGS60CPS	0-6000 psig	PRESSURE TRANSDUCER
7513		1/2 NPT CONDUIT PLUG

All Pictures shown are for illustration purpose only. Actual product may vary due to product enhancement.

CODE BUILDER
P SERIES (RELAYS)

Series:

P = Pilots & Relays

Model:

VL = 30 Volume Booster
VH = 300 Volume Booster
BR = Bistable Relay
PT = Pressurestat

Action

0 = N/A

Shell Material:

D = Ductile Iron

Control Range:

0 = N/A

Service Type:

S = Standard
C = Corrosive

P	VL	0	D	0	S	
---	----	---	---	---	---	--

Options: Additional cost and lead times will apply
If multiple options required input in sequential order
Leave blank if no options required

1 = NACE Certification (Corrosive Option Only)
V = FKM Elastomer

Not all selections available on all products listed.
See product pages 01:40.1 - 01:70.2 for available options