

DIAPHRAGM CONTROLLED HIGH PRESSURE / INDIRECT ACTING MODEL DH

APPLICATION:

Used to produce a pneumatic output signal when the monitored pressure falls below the set pressure. The pneumatic source is isolated from the monitored pressure by a vent chamber which allows the monitored pressure to vent away if it reaches a high enough pressure to cause diaphragm failure.

The control pilot may be remotely installed to operate a motor valve and function as a pressure reducing regulator.

The best application of this pilot is for instrument protection where the monitored pressure may surge above the rated pressure of the pilot.

FEATURES:

- Single Adjustment
- Filtered gas supply
- Accurate control
- Intermittent vent pilot construction
- Remote installation

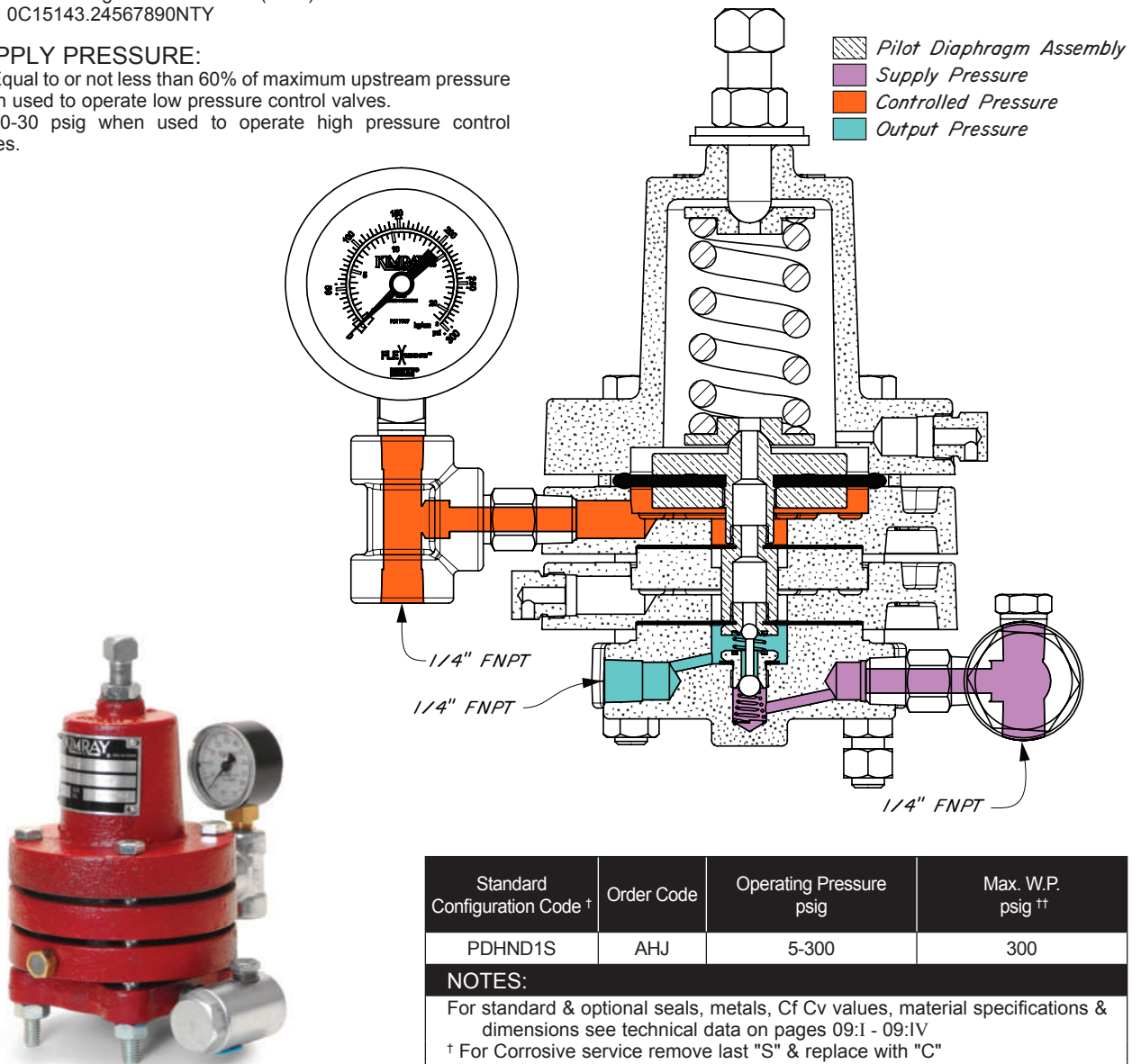
CERTIFICATIONS:

Canadian Registration Number (CRN):
0C15143.24567890NTY

SUPPLY PRESSURE:

Equal to or not less than 60% of maximum upstream pressure when used to operate low pressure control valves.

20-30 psig when used to operate high pressure control valves.



Standard Configuration Code †	Order Code	Operating Pressure psig	Max. W.P. psig ††
PDHND1S	AHJ	5-300	300

NOTES:

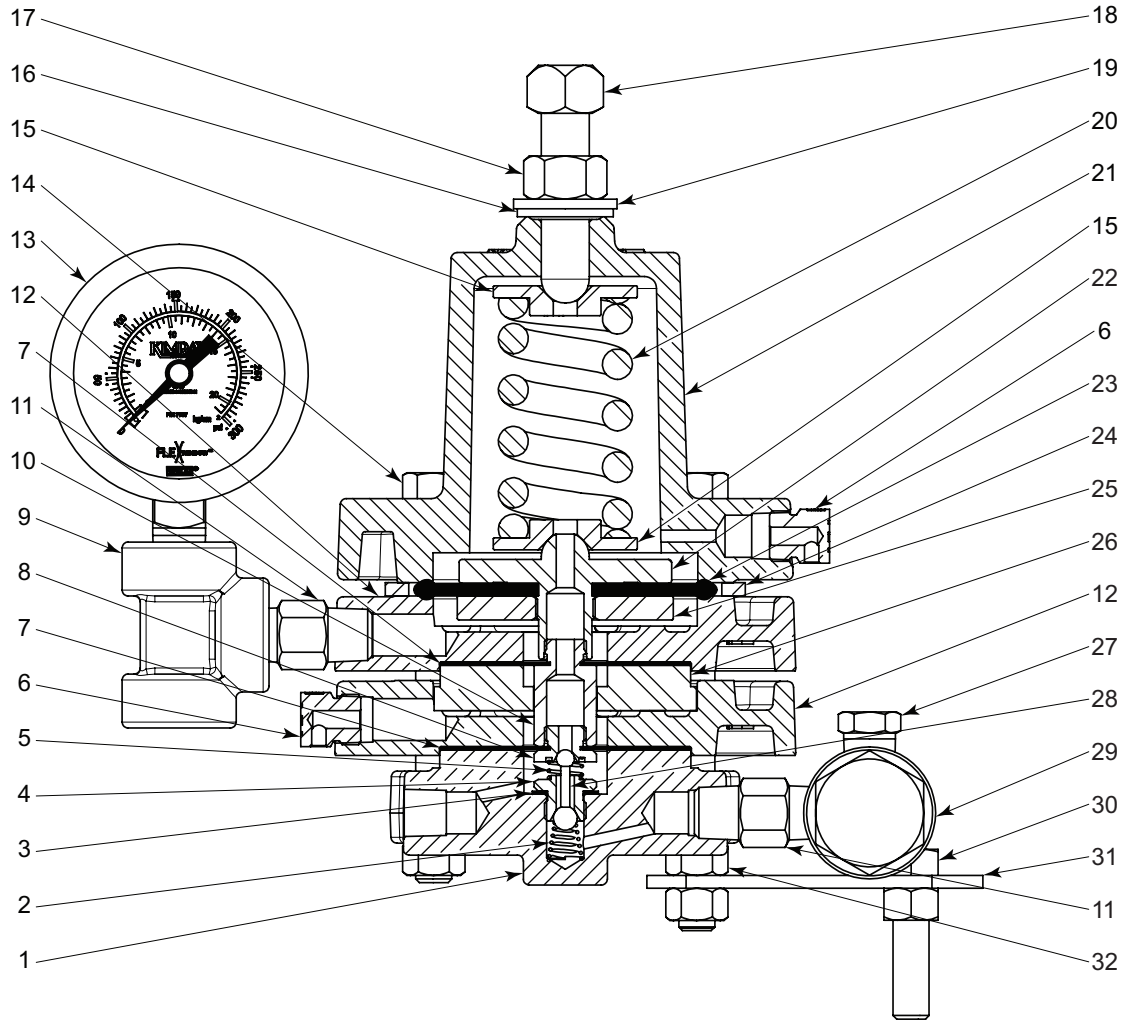
For standard & optional seals, metals, Cf Cv values, material specifications & dimensions see technical data on pages 09:I - 09:IV

† For Corrosive service remove last "S" & replace with "C"

† For code builder see page 09:00.2

†† Max W.P. values based on -20°F to 100°F.

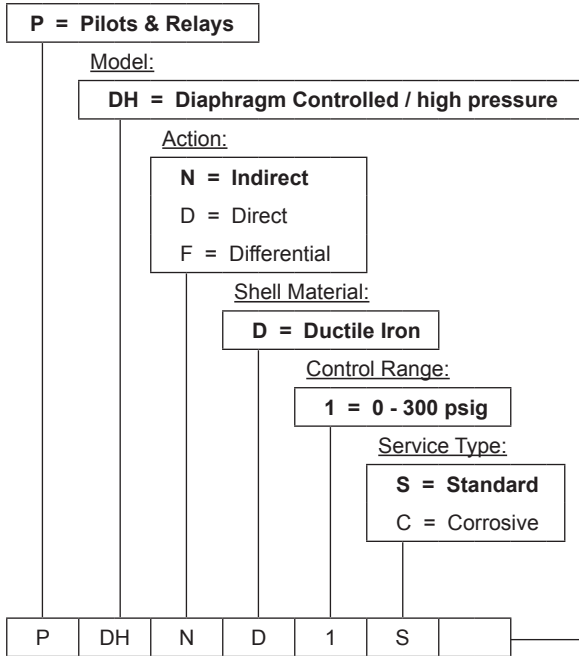
**DIAPHRAGM CONTROLLED HIGH PRESSURE / INDIRECT ACTING
MODEL DH DRAWING & PARTS LIST**



ITEM	QTY.	DESCRIPTION	PART NO		ITEM	QTY.	DESCRIPTION	PART NO	
			STANDARD	CORROSIVE				STANDARD	CORROSIVE
1	1	Base Plate	2607		17	1	Nut	2377	
2	1	Spring *	108	108HAC	18	1	Adjusting Screw	5163	5163SS6
3	1	Gasket *	118		19	1	Washer *	4491	
4	1	Seat *	565	565SS6	20	1	Spring	2611	
5	1	Booster Spring *	566	566HAC	21	1	Bonnet	2610	
6	2	Breather Plug	147	147SS6	22	1	Diaphragm Plate	116	116SS6
7	2	Diaphragm *	110		23	1	Diaphragm *	5259P	
8	1	Seat *	113	113SS6	24	1	Ring *	7437	
9	1	Tee	2000	2000SS6	25	1	Nut	107	107SS6
10	1	Seat Extension	4297		26	1	Spacer Ring	2021	
11	2	Nipple	648	648SS6	27	1	Plug	699	699SS6
12	2	Housing	1701		28	1	Pilot Plug *	112	
13	1	Gauge	7707		29	1	Filter	YAS	YASSS6
14	4	Screw	4298		30	2	Screw	430	
15	2	Spring Plate	2612	2612SS6	31	1	Mounting Bracket	4428	
16	1	Packing Seal *	4488		32	8	Nut	241	
* These parts are recommended spare parts and are stocked as repair kits.							Repair Kit	RSR	RSRV

CODE BUILDER
P SERIES (PILOTS)

Series:

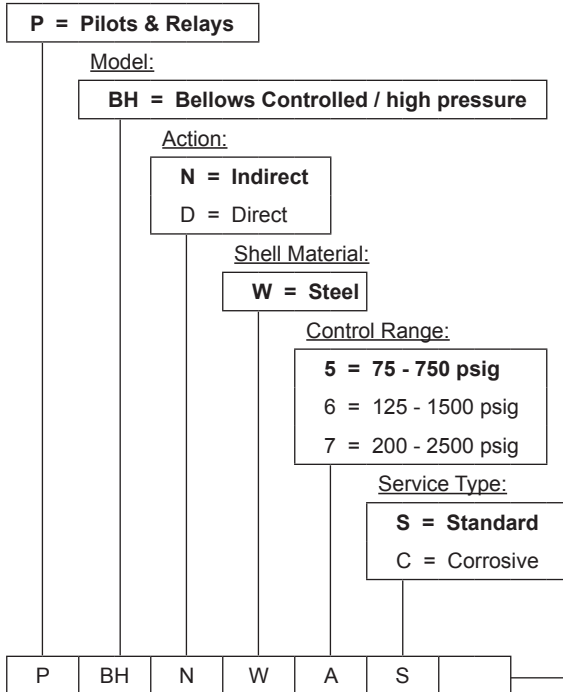


Not all selections available on all products listed.
See product pages 01:10.1 - 01:10.6 for available options

Options: Additional cost and lead times will apply
If multiple options required input in sequential order
Leave blank if no options required

- 1 = NACE Certification (Corrosive Option Only)
- 2 = Hydrostatic Test Certification
- 3 = MTR (Shell Components)
- A = AFLAS Elastomer
- H = HSN Elastomer
- V = FKM Elastomer
- X = Export (Hydrostatic test, MTR & 3.1)

Series:



Not all selections available on all products listed.
See product pages 01:20.1 - 01:20.3 for available options

Options: Additional cost and lead times will apply
If multiple options required input in sequential order
Leave blank if no options required

- 1 = NACE Certification (Corrosive Option Only)
- 2 = Hydrostatic Test Certification
- 3 = MTR (Shell Components)
- A = AFLAS Elastomer
- H = HSN Elastomer
- V = FKM Elastomer
- X = Export (Hydrostatic test, MTR & 3.1)