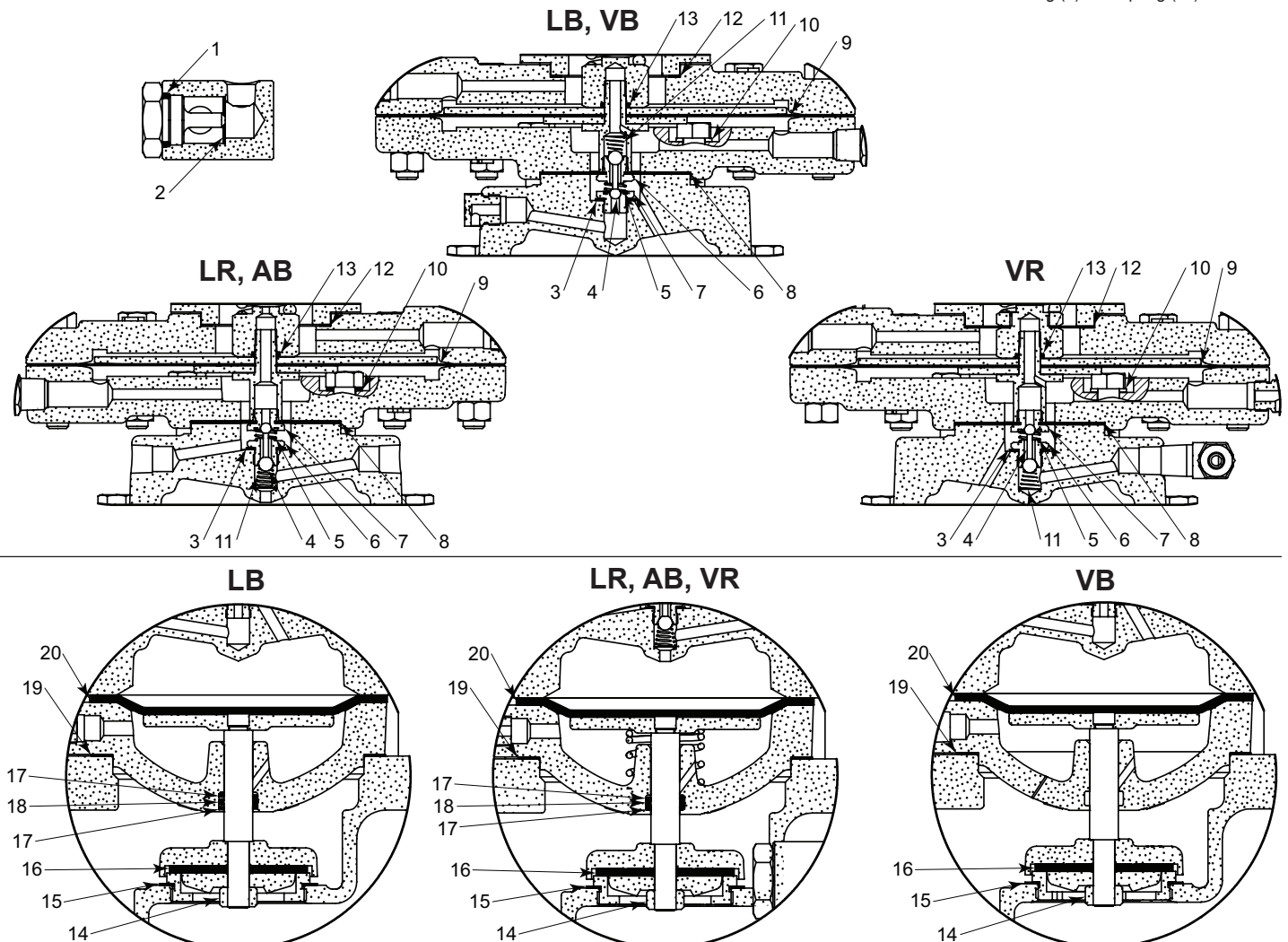


ITEM	QTY.	DESCRIPTION	PART NUMBER				LB	VB	AB	LR	VR
			2 inch	3 inch	4 inch	6 inch					
1	1	O-Ring			155		X	X	X	X	X
2	6	Filter Screen			619		X	X	X	X	X
3	1	Gasket Pilot Seat			118		X	X	X	X	X
4	1	Pilot Plug			112		X	X	X	X	X
5	1	Spring			566		X	X	X	X	X
6	1	Pilot Seat			565		X	X	X	X	X
7	1	Pilot Seat			113		X	X	X	X	X
8	1	Diaphragm			110		X	X	X	X	X
9	1	Diaphragm			1212		X	X	X	X	X
10	1	Gasket			242		X	X	X	X	X
11	1	Spring Helical Conical			1360		X	X	X		X
					108					X	
12	1	Gasket			1216		X	X	X	X	
					5027						
13	1	O-Ring			265		X	X	X	X	X
14	1	Nut	173	906	906	175	X	X	X	X	X
15	1	Gasket Removable Seat	276	277	196	279	X	X	X	X	X
16	1	Seat	164	165	166	167	X	X	X	X	X
17	2	Back Up	149T	150T	151T	152T	X		X	X	X
18	1	O-Ring	154	155	156	157	X		X	X	X
19	1	Gasket Body	196	197	198	199	X	X	X	X	X
20	1	Diaphragm	1706	1640	2015	2140	X	X	X	X	X

Please note the Pilot Plug (4) and Spring (11) orientation



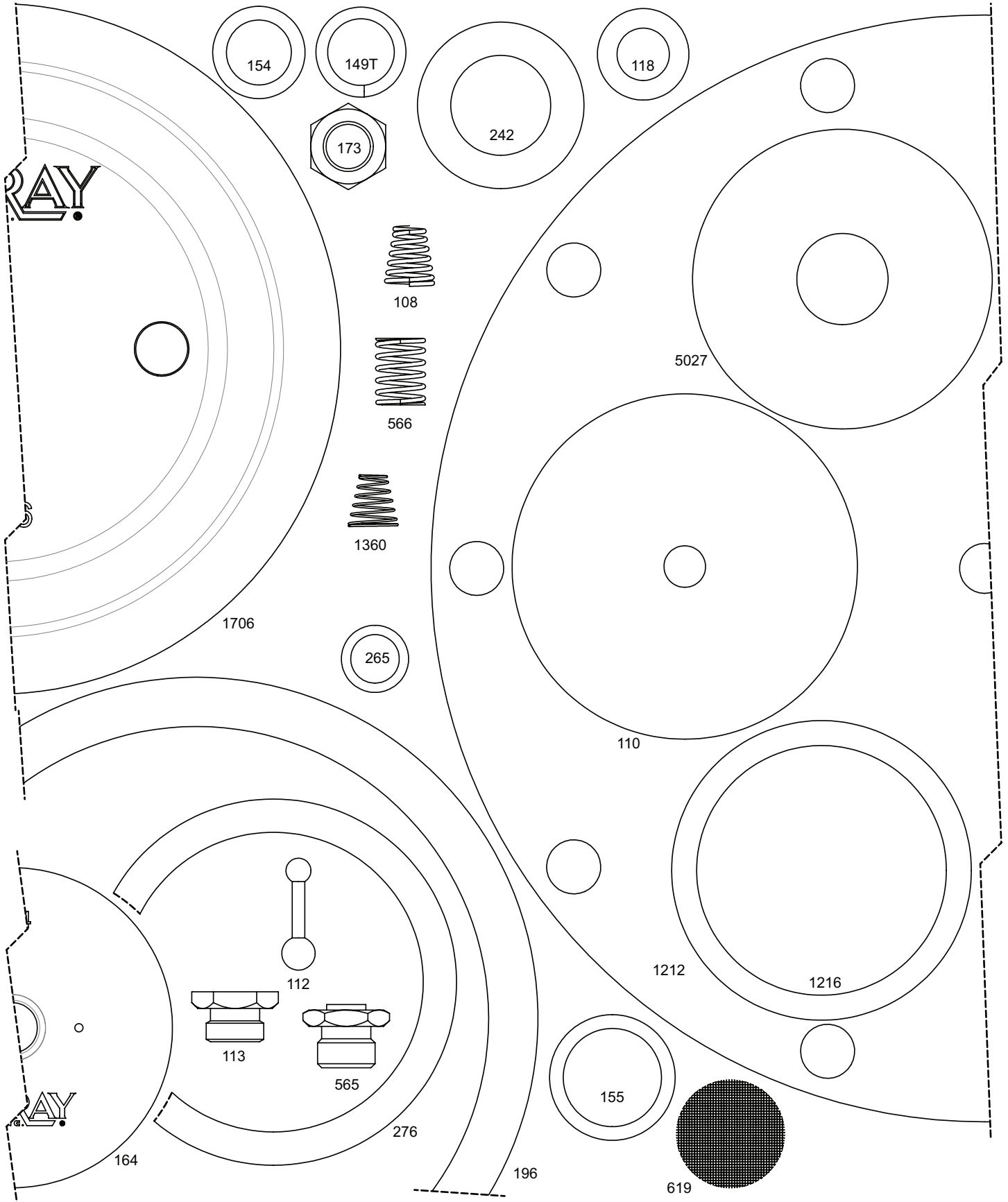
All Pictures shown are for illustration purpose only. Actual product may vary due to product enhancement.

For additional information & documentation visit [www.kimray.com](http://www.kimray.com)

# PRESSURE REGULATORS



## REPAIR KIT 2 INCH LOW PRESSURE REGULATORS



All Pictures shown are for illustration purpose only. Actual product may vary due to product enhancement.