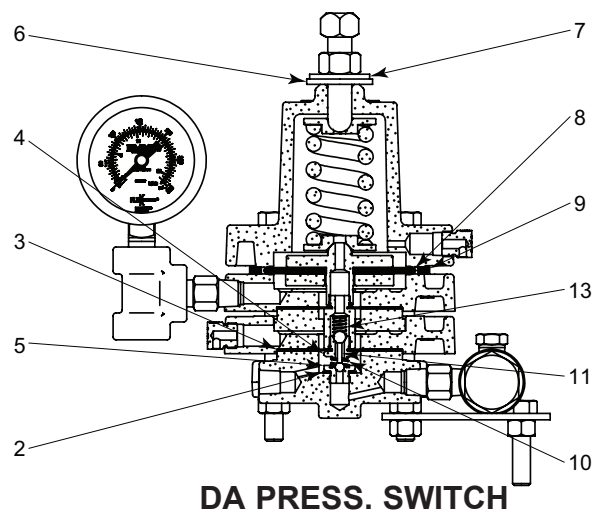
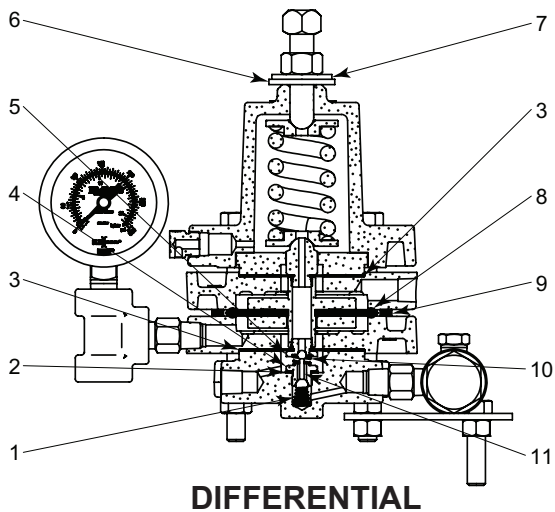
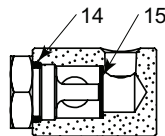
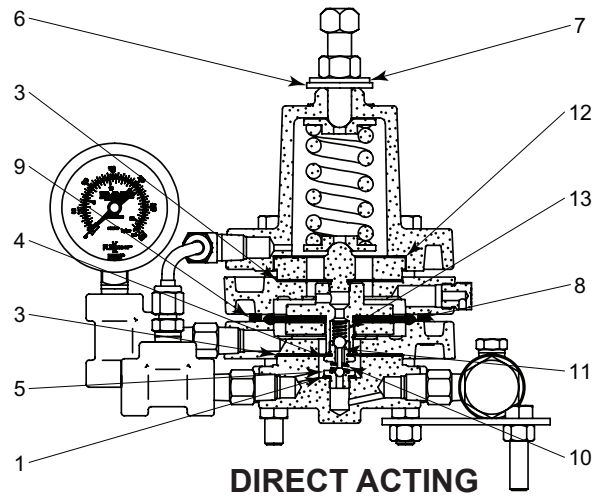
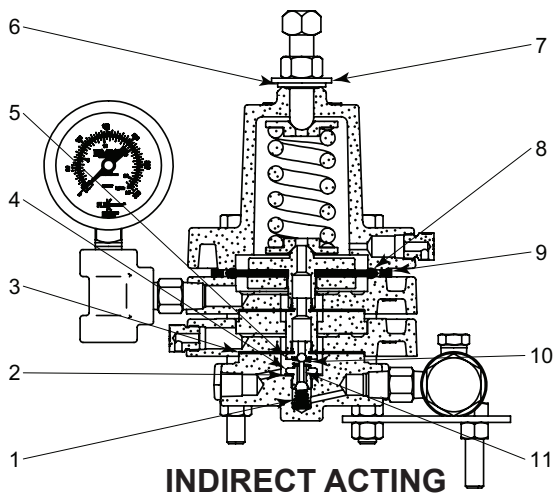


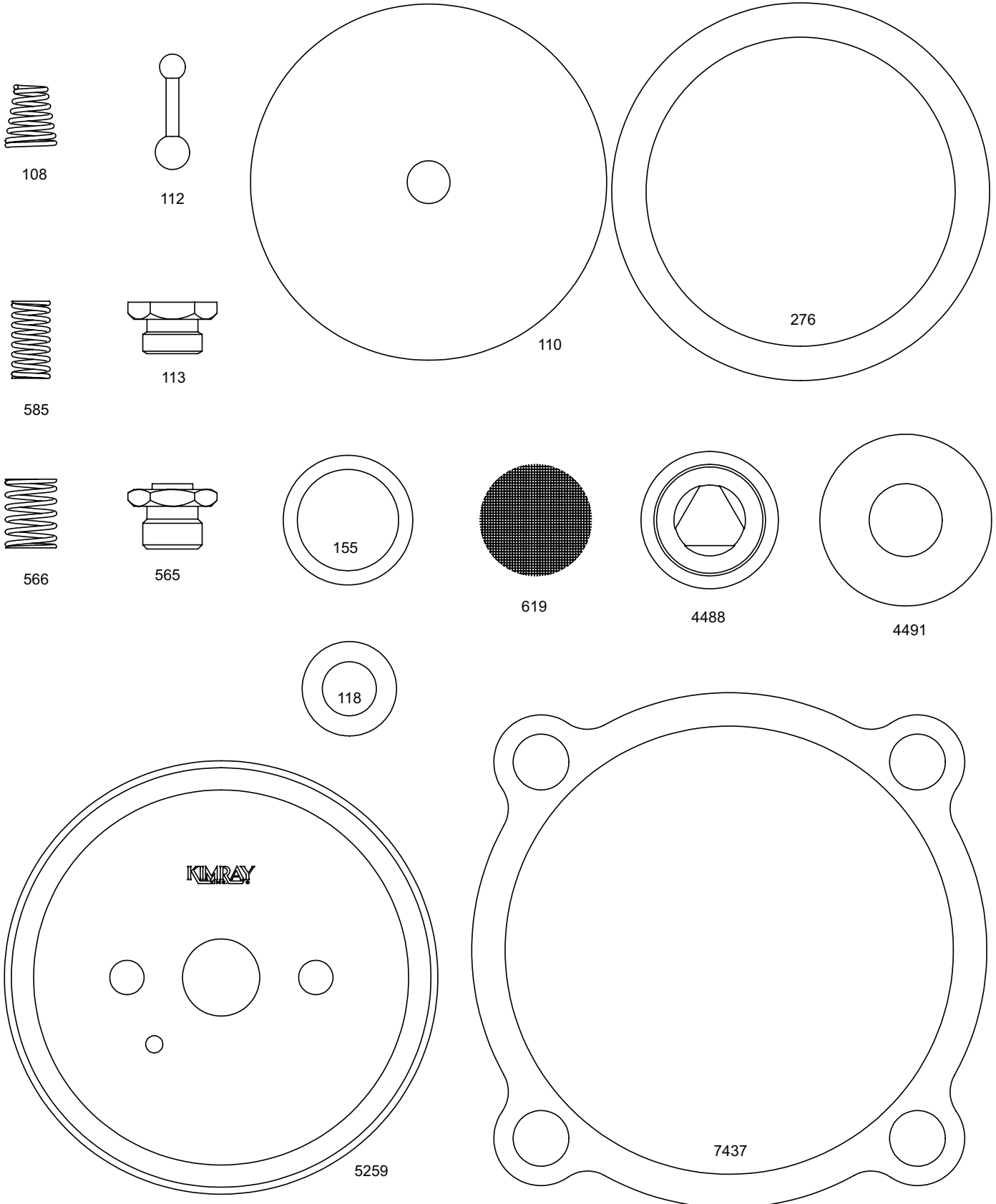
ITEM	QTY.	DESCRIPTION	PART NUMBER			
			INDIRECT ACTING	DIRECT ACTING	DIFFERENTIAL	DA PRESS. SWITCH
1	1	Spring Helical Conical	108	----	108	----
2	1	Gasket Pilot Seat			118	
3	2	Diaphragm Stabilizing			110	
4	1	Pilot Seat			565	
5	1	Pilot Seat			113	
6	1	Thread Seal			4488	
7	1	Washer			4491	
8	1	Diaphragm			5259P	
9	1	Spacer Ring			7437	
10	1	Spring Booster			566	
11	1	Pilot Plug			112	
12	1	Gasket Bonnet	----	276		----
13	1	Spring	----	585		585
14	1	O-Ring			155	
15	6	Filter Screen			619	



**FLOAT OPERATED CONTROLLERS**



**REPAIR KIT  
DIAPHRAGM CONTROLLED HIGH PRESSURE**



All Pictures shown are for illustration purpose only. Actual product may vary due to product enhancement.