

APPLICATION:

The Electronic Pilot Controller is used in any application where a 4-20mA valve actuator can be controlled by reading a 4-20mA sensor.

FEATURES

- Multiple control schemes
- * PID Control (Pressure Reducing or Back Pressure)
- * High Limit shutdown
- * Low Limit shutdown
- * GAP Control (example: plunger lift application)
- * High Low shutdown
- Multiple applications
- * Pressure control
- * Flow control
- * Temperature control
- * Level control
- Powered from actuator supply
- Reverse Battery Protection
- Bright OLED display technology
- User-friendly menus for installation/operation
- PID Autotuning available for ease of installation

CONSTRUCTION:

Cast aluminum housing for hazardous location areas.

OPERATION:

The Electronic Pilot receives an analog (4-20mA) signal from a sensor which measures a process valve. The signal is conditioned and sent to an electronically controlled valve via 4-20mA output signal. A PID control loop is utilized along with auto-tune and manual tuning capabilities. The pilot can connect directly to an electric actuator and share a common input power source.

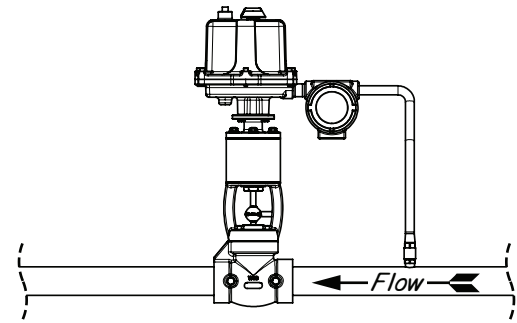
INSTALLATION AND COMMISSION:

- 1) Mount appropriate hardware
- 2) Specify sensor using the menu
- 3) Select control scheme
- 4) Perform auto-tuning or manual-tuning

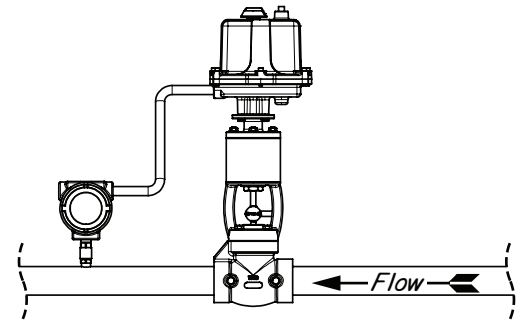
CERTIFICATIONS:

CSA HAZARDOUS LOCATION
Class I, Div 1, Groups B, C, D
Class II, Groups E, F, G
Class III, T6
Type 4X enclosure, IP66 rated

IECEX/ATEX (see label)
Ex db IIC T6 Gb
Ex tb IIIC T80°C Db
TA = -40°C to 60°C
IP66



BACK PRESSURE INSTALLATION



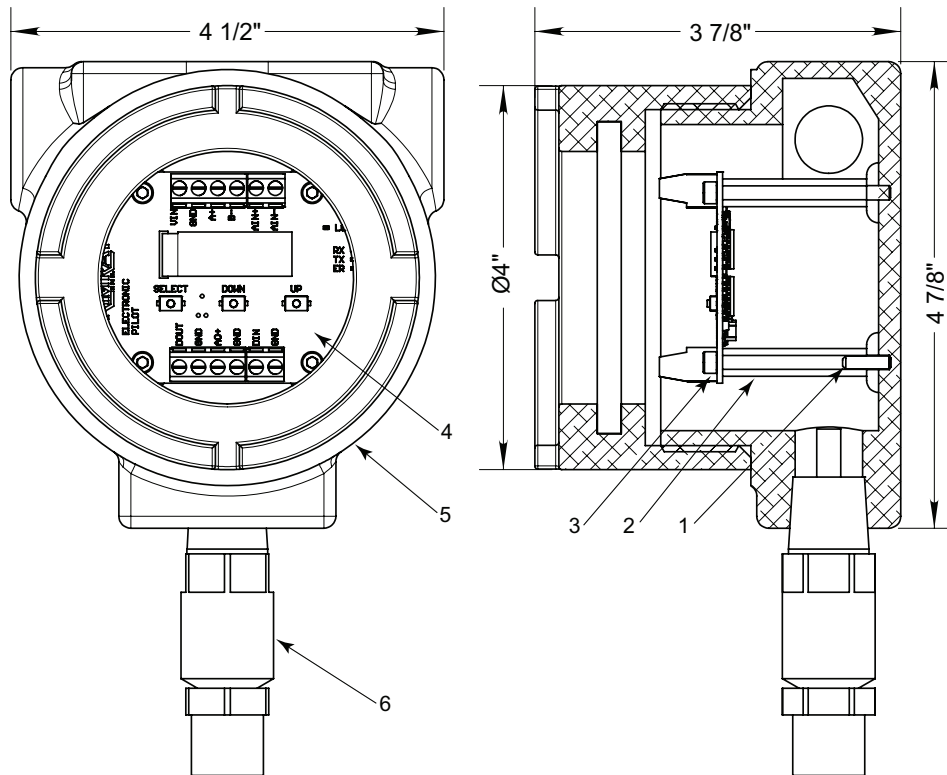
PRESSURE REDUCING INSTALLATION

ELECTRICAL RATINGS			
	Min	Max	Units
Input Voltage (VIN)	10	30	VDC
Input Current	0.05	0.10	ADC
Ambient Temperature	-40	60	°C
	-40	140	°F
Analog input From Sensor	4-20 mA (powered by VIN)		
Discrete input	Dry Contacts only		
Analog Output to Actuator	4-20 mA (powered by VIN)		
Communications	RS-485 (MODBUS RTU)		
Discrete Output	0 VDC or VIN, up to 1A		

Order Code	Description
YEP	ELECTRIC PILOT CONTROLLER

PILOTS & RELAYS

ELECTRIC PILOT CONTROLLER DRAWING & PARTS LIST



ITEM	QTY.	DESCRIPTION	PART NO
1	4	SET SCREW 6-32	7472A
2	4	PCB STANDOFF 6-32 x 3/8" HEX	7472B
3	4	6-32 x 1/4 SOCKET HEAD SCREW	7495
4	1	MAIN PCB	KA7509
5	1	ENCLOSURE	7483
6	1	PRESSURE TRANSDUCER	SEE BELOW

ACCESSORIES AVAILABLE		
PART NO	PRESSURE RANGE	DESCRIPTION
KSGS100PG	0-100 psig	PRESSURE TRANSDUCER
KSGS300PG	0-300 psig	PRESSURE TRANSDUCER
KSGS750PG	0-750 psig	PRESSURE TRANSDUCER
KSGS20CPS	0-2000 psig	PRESSURE TRANSDUCER
KSGS40CPS	0-4000 psig	PRESSURE TRANSDUCER
KSGS60CPS	0-6000 psig	PRESSURE TRANSDUCER
7513		1/2 NPT CONDUIT PLUG

All Pictures shown are for illustration purpose only. Actual product may vary due to product enhancement.

CODE BUILDER
P SERIES (RELAYS)

Series:

P = Pilots & Relays

Model:

VL = 30 Volume Booster
VH = 300 Volume Booster
BR = Bistable Relay
PT = Pressurestat

Action

0 = N/A (VH, BR, PT only)
S = Snap (VL only)
T = Throttle (VL only)
M = Manual (VL only)

Shell Material:

D = Ductile Iron

Control Range:

0 = N/A

Service Type:

S = Standard
C = Corrosive

P VL S D 0 S

Options: Additional cost and lead times will apply
If multiple options required input in sequential order
Leave blank if no options required

1 = NACE Certification (Corrosive Option Only)
V = FKM Elastomer

Not all selections available on all products listed.
See product pages 01:40.1 - 01:70.2 for available options