

### APPLICATIONS:

Used to control a set temperature in indirect heaters, emulsion treaters, reboilers, steam generators, heat exchangers, cooler shutter controls, and salt bath heaters.

### FEATURES:

Modulated (throttling) signal output. Can be direct or indirect signal output based on how it is installed. is Field Reversible:

Indirect: Pilot Output Pressure (Yellow) decreases with temperature rise.

Direct: Pilot Output Pressure (Yellow) increases with temperature rise.

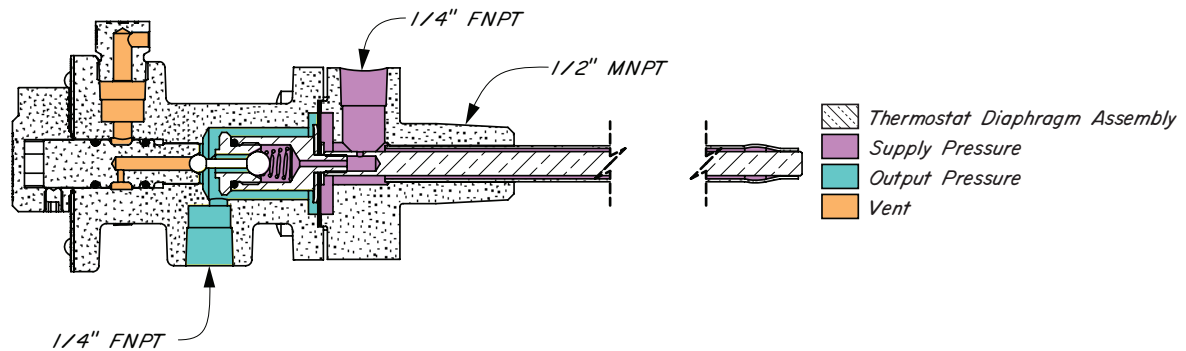
### CERTIFICATIONS:

Canadian Registration Number (CRN):

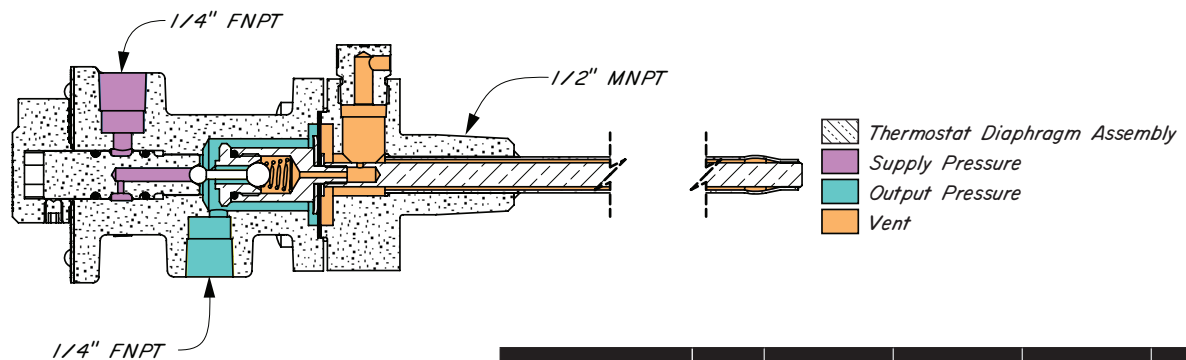
0H08105.2

Kimray is an ISO 9001- certified manufacturer.

### INDIRECT ACTION



### DIRECT ACTION



Standard † Configuration Code	Order Code	Supply Pressure	Response Range	Temperature Range	Max. W.P. †† (sensing element)
T12S	HAA	5 - 30 psig .35 - 2.11 kg/cm <sup>2</sup>	1.75 psig/°F .22 kg/cm <sup>2</sup> /C°	-30°F to 400°F -34°C to 204°C	500 psig 35.15 kg/cm <sup>2</sup>

### NOTES:

For standard & optional seals, metals, material specifications & dimensions see technical data on pages 07:1 - 07:11

† For code builder see page 07:00.2

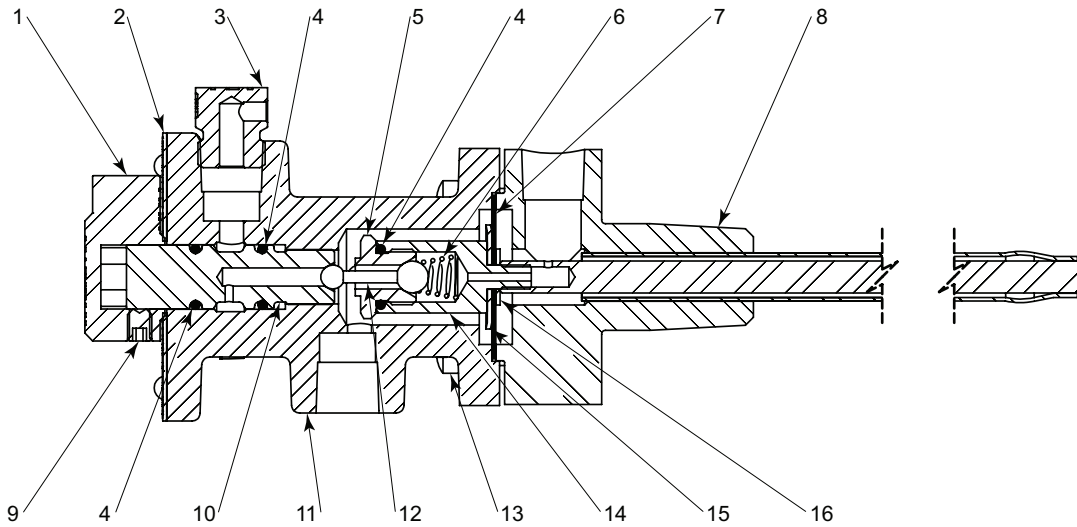
†† Working Pressure (sensing element) with Separable Socket:  
4000 psig max. / 281.23 kg/cm<sup>2</sup> max.

Separable Socket is an extra price item and must be ordered separately, if desired.

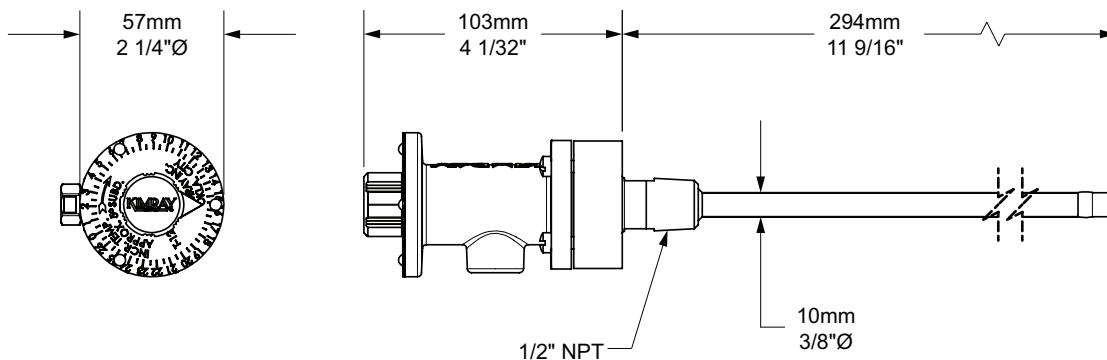
To order Separable Sockets refer to Table of Contents

# TEMPERATURE CONTROLLERS

-30°F to 400°F THERMOSTAT  
MODEL 12



## DIMENSIONS



ITEM	QTY.	DESCRIPTION	PART NO.
1	1	Pointer Knob	600SS6
2	1	Dial	1743
3	1	Vent Plug	147
4	3	O-Ring *	265HSN
5	1	Seat *	565
6	1	Spring *	108
7	1	Diaphragm *	601HSN
8	1	Base	1627
9	1	Set Screw	264
10	1	Seat	1621
11	1	Bonnet	2728
12	1	Pilot Plug *	112
13	4	Screw	693
14	1	Housing	595
15	1	Upper Diaphragm Plate *	597
16	1	Lower Diaphragm Plate *	763
Repair Kit			RXX
* These parts are recommended spare parts and are stocked as repair kits.			

All Pictures shown are for illustration purpose only. Actual product may vary due to product enhancement.

# TEMPERATURE CONTROLLERS



## CODE BUILDER T SERIES

Series:

T = Temperature Controllers

Model:

12 = -30°F to 400°F Thermostat  
HT = -30°F to 750°F Thermostat  
PG = Pilot Guard  
SD = Shut Down with Manual Reset

Service Type:

S = Standard

T	12	S	
---	----	---	--

Options: Additional cost and lead times will apply  
If multiple options required input in sequential order  
Leave blank if no options required

V = FKM Elastomers

Not all selections available on all products listed.  
See product pages 07:10.1 - 07:40.2 for available options