

ACCESSORIES

A



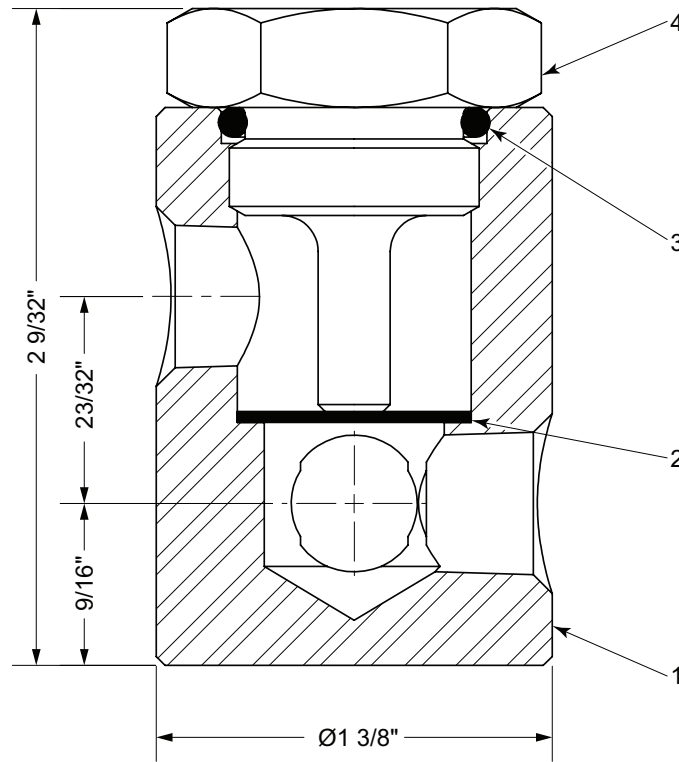
NOTE: We reserve the right to modify or change, without prior notice, any statement or information contained herein.
© Copyright 2020, Kimray, Inc.

FILTERS:	90:10.1
APPLICATIONS: Removes particulates from the gas line.	
OPERATING PRESSURE RANGES: 300 psig	
DRIP POTS:	90:20.1
APPLICATIONS: Collects condensation for removal from pressure lines.	
OPERATING PRESSURE RANGES: 0 psig to 4000 psig	
SUPPLY GAS REGULATOR:	90:30.1
APPLICATIONS: Gas pressure reducing instrument regulators.	
OPERATING PRESSURE RANGES: 0 psig to 4000 psig	
SENSE LINE PROTECTOR:	90:40.1
APPLICATIONS: An adjustable, self-resetting, pressure limiting device to protect instrumentation from over pressurization	
OPERATING PRESSURE RANGES: 0 psig to 4000 psig	
PRIORITY SIGNAL RELAY:	90:50.1
APPLICATIONS: By-pass a normal pneumatic signal with a higher priority signal. 4 POR	
OPERATING PRESSURE RANGES: 0 psig to 40 psig	

NOTES:



Kimray is an ISO 9001- certified manufacturer.



ITEM	QTY.	DESCRIPTION	PART NO.	
			STANDARD	STAINLESS
1	1	Body	616	616SS6
2	6	Screen	619	619
3	1	O-Ring	155	155
4	1	Cap	617	617SS6



Order Code	Product Description	Connection Size	Connection Type	Max. W.P. psig [†]
YAS	F-30	1/4"	NPT	300 psig
YASS6	F-100 SS6	1/4"	NPT	1000 psig

NOTES:

[†] Max W.P. values based on -20°F to 100°F.

All Pictures shown are for illustration purpose only. Actual product may vary due to product enhancement.

NOTES:

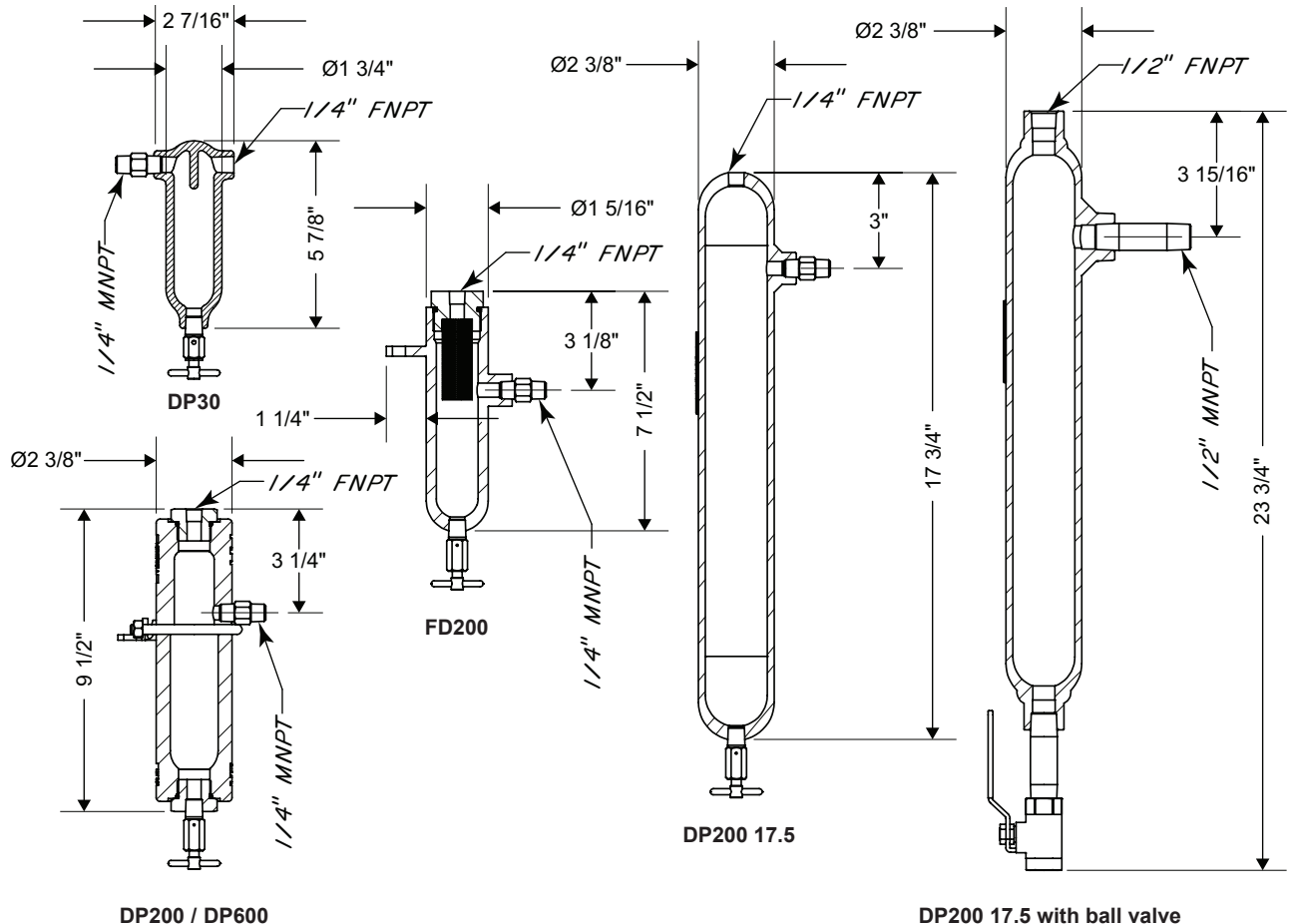


Kimray is an ISO 9001- certified manufacturer.

CERTIFICATIONS:

Canadian Registration Number (CRN):
Kimray is an ISO 9001- certified manufacturer.

0H10789.253 (DP 30)
0H14037.2 (FD 200/200SS6)
0H12678.2134567890NTY (DP 200)
0H07996.2467890NTY (DP 200 17.5)
0H14312.2134567890NTY (DP 600/600S6)
0H11993.2 (BV 600SS6)



Order Code	Product Description	Body Material	Max. W.P. psig †
YAM	DP30	Ductile	300 psig
YAMSS6	DP30 SS6	316SS	
YAR	FD200 Filtered	Steel	2000 psig
YAR226	FD200S6 Filtered	316SS	
YTX	DP200 with mounting tab	Steel	6000 psig
YTZ	DP600 with mounting tab	Steel	
YTZS6	DP600S6 with mounting tab	316SS	2000 psig
YAN2	DP200 17 1/2" lg. w/ ball valve	Steel	
YANL17.5	DP200 17 1/2" lg.	Steel	

Order Code	Product Description	Body Material	Max. W.P. psig †
YBF	BV600 drain valve	Steel	6000 psig
YBFS6	BV600SS6 drain valve	316SS	
YBF1	BV30 drain valve	Steel	300 psig
YBF1S6	BV30SS6 drain valve	316SS	

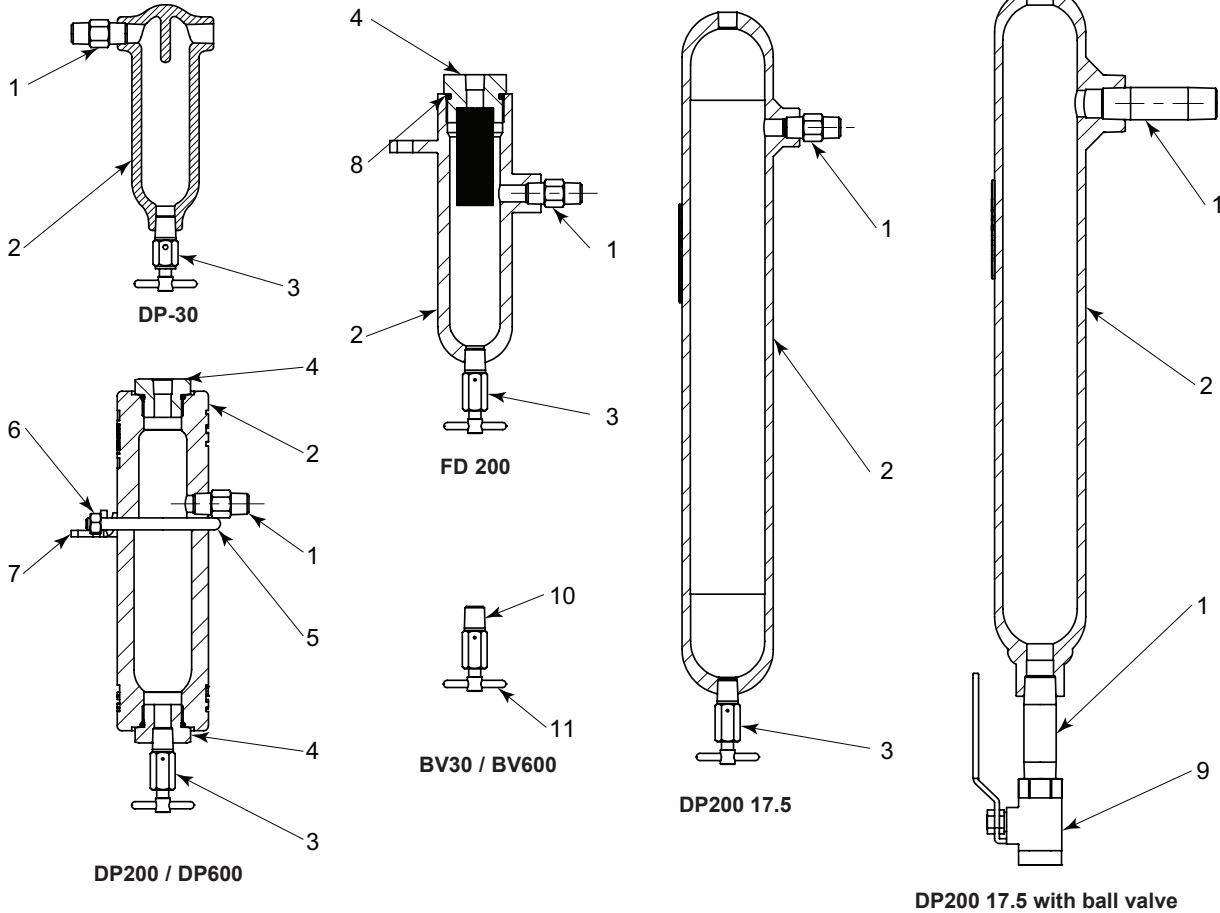
† Max W.P. values based on -20°F to 100°F.

All Pictures shown are for illustration purpose only. Actual product may vary due to product enhancement.

ACCESSORIES



DRIP POTS DRAWING & PARTS LIST



ITEM	QTY.	DESCRIPTION	PART NO.								
			DP 30		FD 200		DP200	DP600		DP200 17.5	
			Ductile	316SS	Steel	316SS	Steel	Steel	316SS	Steel	w/ball valve
1	(QTY)	Nipple	648 (1)	648SS6 (1)	648 (1)	648SS6 (1)	648 (1)	648 (1)	648SS6 (1)	648 (1)	5530 (1)
2	1	Body	431		1998	1998SS6	7351	7350	7350S6	649L17.5	5553L17.5
3	1	Drain Valve	YBF1	YBF1S6	YBF	YBFS6	YBF	YBF	YBFS6	YBF	----
4	2	Cap	----		1999	1999SS6	7414S		7414S6	----	
5	1	U Bolt	----		----		7497		----		
6	1	Nut	----		----		6782		----		
7	1	Bracket	----		----		7496		----		
8	1	O-Ring	----		157		----		----		
9	1	Ball Valve	----		----		----		----		5582

ITEM	QTY.	DESCRIPTION	PART NO.			
			BV30		BV600	
			Steel	316SS	Steel	316SS
10	1	Body	2589	2589SS6	612	612SS6
11	1	Stem	2590	2590SS6	613	613SS6

All Pictures shown are for illustration purpose only. Actual product may vary due to product enhancement.

SUPPLY GAS REGULATOR

APPLICATION:

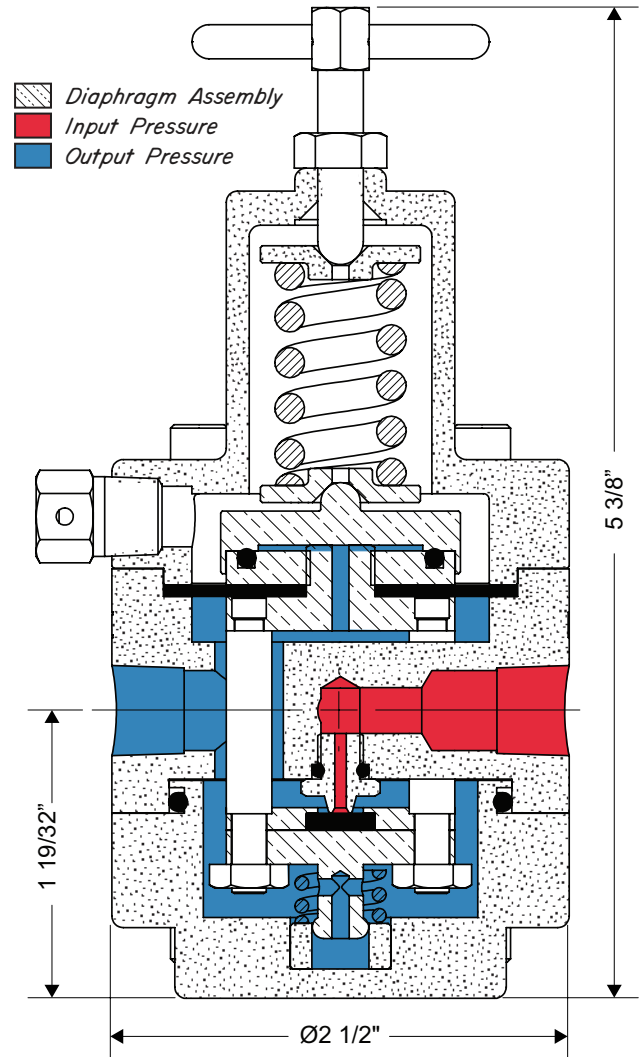
For pressure reducing service where a supply of constant reduced pressure is required for pneumatic instruments and pilot operated controllers.

FEATURES:

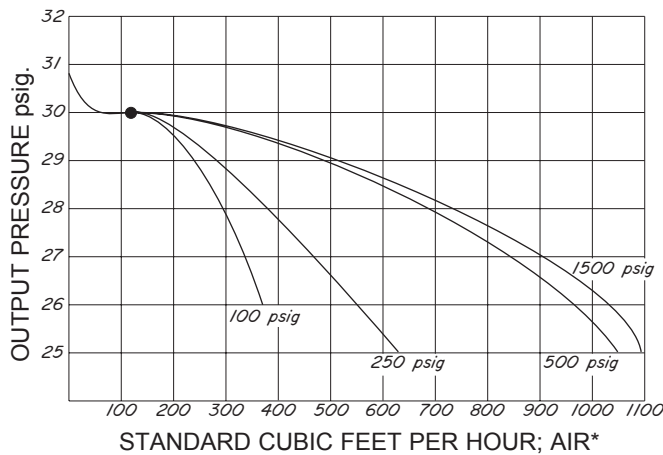
- Easily adjusted
- Internally relieving
- Available in Aluminum and 316 Stainless Steel

CERTIFICATIONS:

Canadian Registration Number (CRN):
0C15352.24567890NTY
Kimray is an ISO 9001- certified manufacturer.



CAPACITY CHART



INITIAL SET POINT AT 30 psig AT 120 S.C.F.H.
INLET PRESSURE INDICATED ON EACH CURVE.

*FOR CAPACITIES IN S.C.F.H. OF GAS AT .65 SPECIFIC GRAVITY
MULTIPLY FLOW RATE BY 1.24



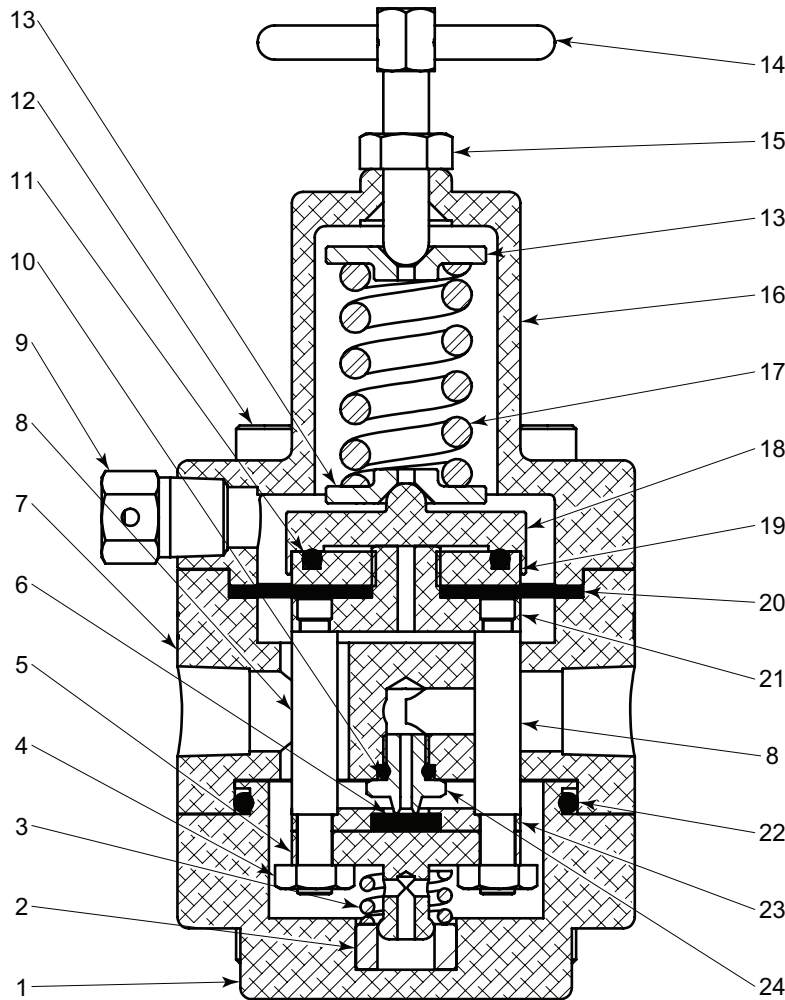
Order Code	Connection Type	Operating Temperature	Output Press psig	Max. W.P. psig [†]	Cv	Cf
YAV	1/4" FNPT	0°F to 200°F	10-250	4000	0.10	0.70
YAVS6		-18°C to 93°C				

NOTES:

[†] Max W.P. values based on -20°F to 100°F.

ACCESSORIES

SUPPLY GAS REGULATOR DRAWING & PARTS LIST



ITEM	QTY.	DESCRIPTION	PART NO		ITEM	QTY.	DESCRIPTION	PART NO	
			STANDARD	CORROSIVE				STANDARD	CORROSIVE
1	1	Base	5239	5239SS6	13	2	Spring Plate	4484SS6	
2	1	Guide Bushing *	5248		14	1	Adjusting Screw	5326	5326SS6
3	1	Spring	5250		15	1	Nut	1676	1676SS6
4	2	Nut	1103		16	1	Bonnet	5237	5237SS6
5	1	Seat Guide	5247	5247SS6	17	1	Spring	4323	
6	1	Nylon Seat *	5245		18	1	Pilot Cap	5240	5240SS6
7	1	Body	5238	5238SS6	19	1	Diaphragm Nut	5241	5241SS6
8	2	Rod	5243		20	1	Diaphragm *	5252V	
9	1	Breather Plug	1357	1357SS6	21	1	Diaphragm Plate	5242	5242SS6
10	1	O-Ring *	647		22	1	O-Ring *	2937	
11	1	O-Ring *	5253		23	1	Seat Retainer	5246	5246SS6
12	8	Screw	5251		24	1	Nozzle	5244SS6	
* These parts are recommended spare parts and are stocked as repair kits.					Repair Kit			RSP	

All Pictures shown are for illustration purpose only. Actual product may vary due to product enhancement.

APPLICATIONS:

As an adjustable, self-resetting, pressure limiting device to protect instrumentation from over pressurization and subsequent damage.

Designed to protect pilots on high pressure regulators. Blocks the sense line or supply pressure to a device when it exceeds the adjustable limit of 300 psig. Reopens when inlet pressure drops below the limit.

This device is not to be installed as a:

- Instrument gas regulator
- Pressure reducing regulator

FEATURES:




- Single Adjustment
- Intermittent Vent Pilot
- Remote Installation
- Compact Design

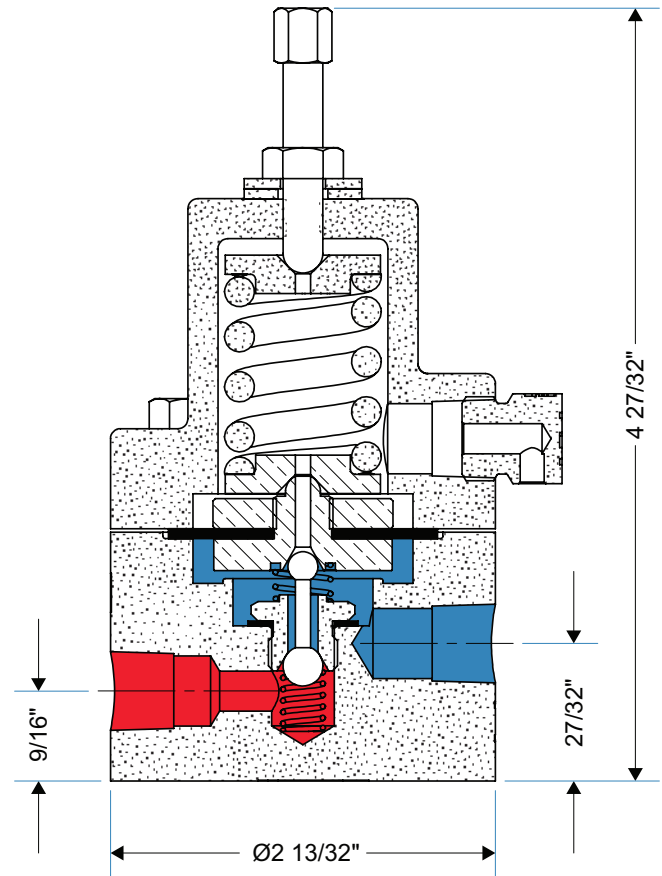
CERTIFICATIONS:

NACE MR0175 compliant wetted parts

- Certification documents available upon request, specify when ordering

Kimray is an ISO 9001- certified manufacturer.

-  Diaphragm Assembly
-  Input Pressure
-  Output Pressure

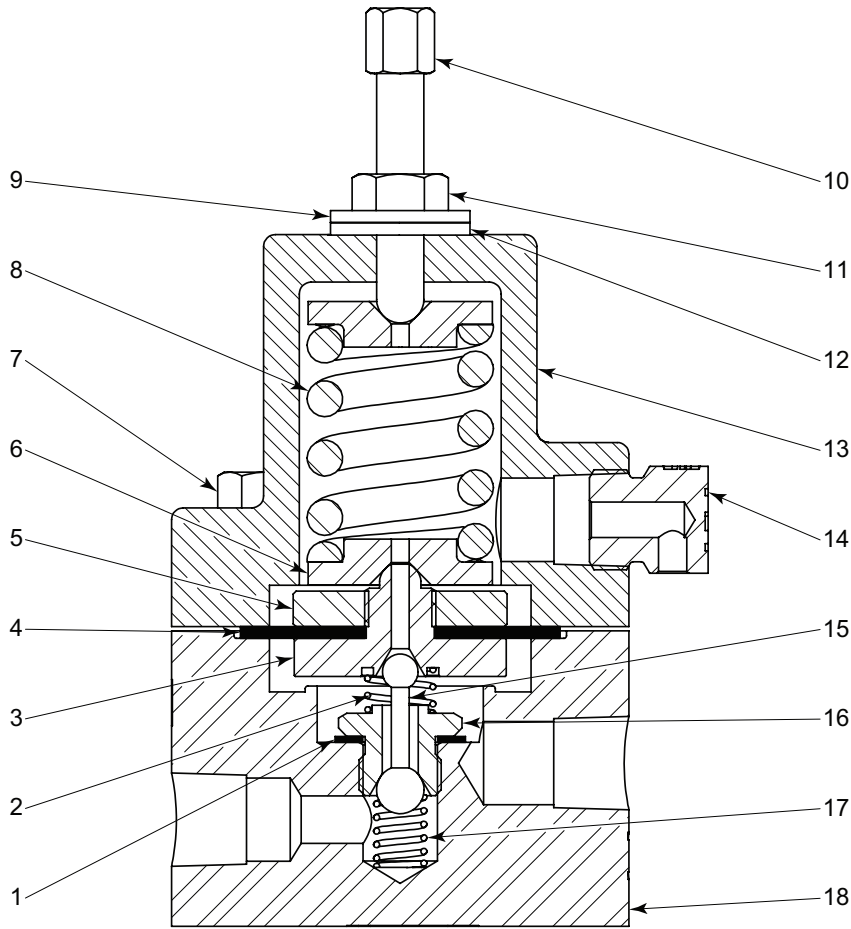


Order Code	Connection Type	Operating Temperature	Output Press psig	Max. W.P. psig †
YDM	1/4" FNPT	0°F to 200°F (-18°C to 93°C)	0-300	4000
YDMSS6				
NOTES:				
† Max W.P. values based on -20°F to 100°F.				
For pressures above 300 psig contact your Kimray authorized distributor for information.				

ACCESSORIES



SENSE LINE PROTECTOR DRAWING & PARTS LIST



ITEM	QTY.	DESCRIPTION	PART NO		ITEM	QTY.	DESCRIPTION	PART NO	
			STANDARD	CORROSIVE				STANDARD	CORROSIVE
1	1	Gasket *		118	10	1	Adjusting Screw		6976
2	1	Spring *		566	11	1	Nut	1676	1676SS6
3	1	Upper Seat *	6497	6497SS6	12	1	Packing Seal		4542
4	1	Diaphragm *	4648	4648AF	13	1	Bonnet		4525
5	1	Nut	3010	3010SS6	14	1	Breather Plug	147	147SS6
6	2	Spring Plate		4649	15	1	Pilot Plug *		112
7	4	Screw		3012	16	1	Lower Seat *	565	565SS6
8	1	Spring		4650	17	1	Spring *		585
9	1	Washer		4543	18	1	Base	6498	6498SS6
* These parts are recommended spare parts and are stocked as repair kits.					Repair Kit		RMV	RMVSS6	

All Pictures shown are for illustration purpose only. Actual product may vary due to product enhancement.

APPLICATIONS:

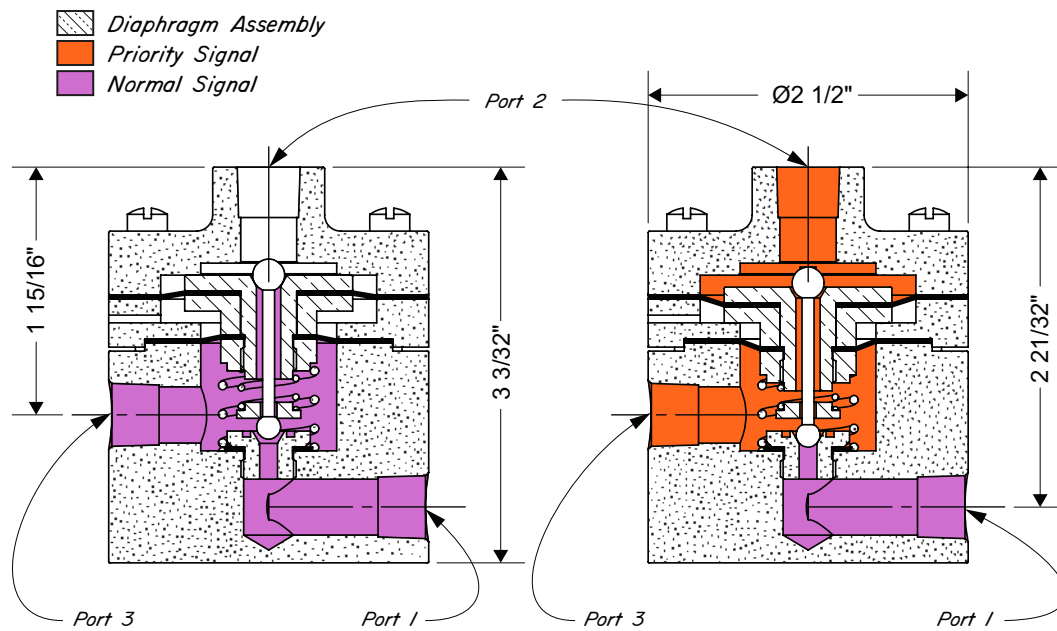
- Shut-in relay
- Remote shut-in relay
- Signal priority sensor
- Automatic shut-down relay
- Signal interruption

FEATURES:

- Max. Body design pressure - 300 psig

CERTIFICATIONS:

Kimray is an ISO 9001- certified manufacturer.



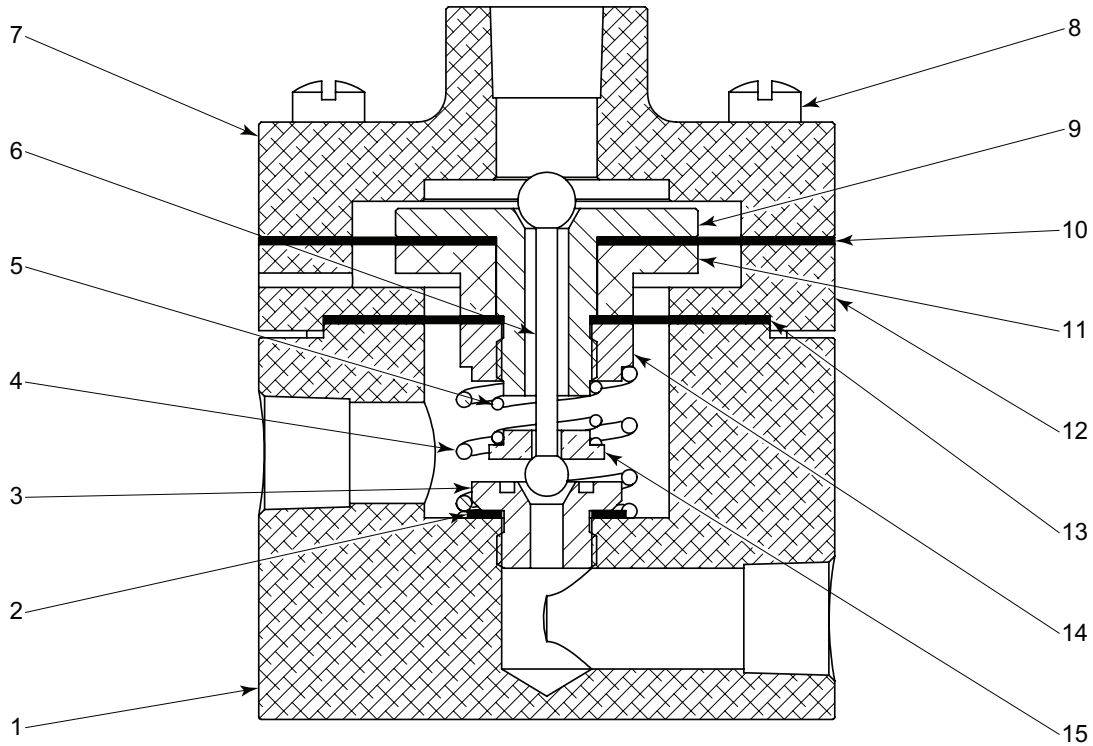
Order Code	Connection Type	Operating Temperature	Output Press psig	Max. W.P. psig †
YBA	1/4" FNPT	150°F (66°C)	40	40
NOTES:				
† Max W.P. values based on -20°F to 100°F.				
Pressure required at port 2 to override the pressure at port 1 20 psig or 70% of the pressure at Port 1 (whichever is greater).				

All Pictures shown are for illustration purpose only. Actual product may vary due to product enhancement.

ACCESSORIES



PRIORITY SIGNAL RELAY DRAWING & PARTS LIST



ITEM	QTY.	DESCRIPTION	PART NO	ITEM	QTY.	DESCRIPTION	PART NO
1	1	Body	2228	9	1	Upper Diaphragm Plate	2223
2	1	Gasket	118	10	1	Diaphragm	2224
3	1	Seat	113	11	1	Lower Diaphragm Plate	2217
4	1	Spring	2227	12	1	Housing	2218
5	1	Spring	2226	13	1	Diaphragm	2225
6	1	Pilot Plug	2220	14	1	Nut	2219
7	1	Bonnet	2215	15	1	Keeper	2221
8	6	Screw	2216				

All Pictures shown are for illustration purpose only. Actual product may vary due to product enhancement.